



# INSTRUCTION MANUAL

**M-3**

Tilt Base

## SETUP

The M-3 tilting base is configured for a right hand manipulator like the KITE-R. If you are using a left hand manipulator, you will need to reverse the L bracket before you install the manipulator.

**NOTE:** Use the M8 thumb screw (included) to mount the base to an air table.

### Reverse the L Bracket for Left Hand Manipulator

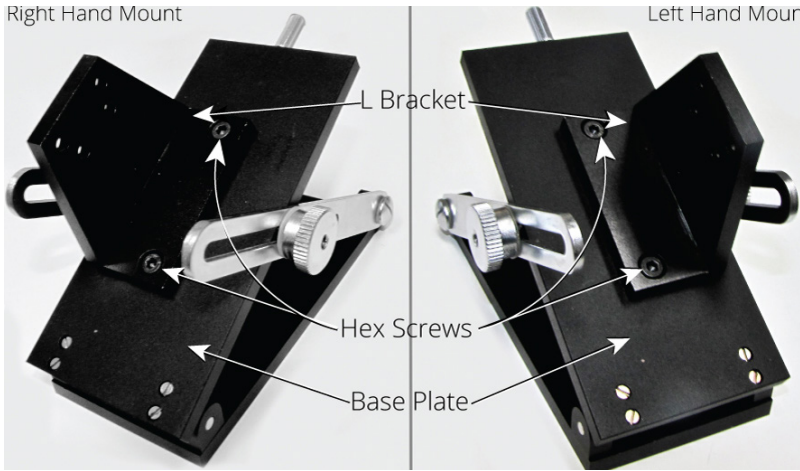
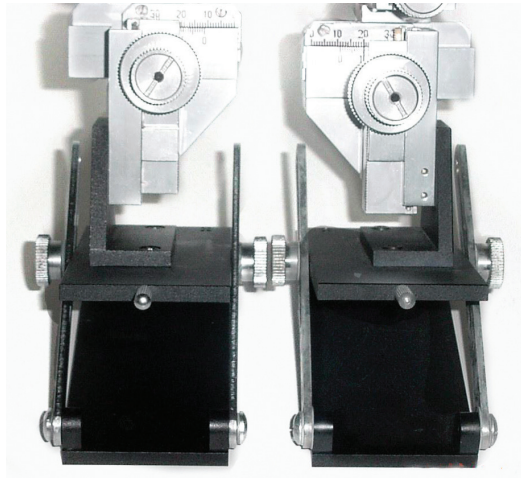


Fig. 1—The L bracket must be repositioned for a left hand manipulator.

1. Use the hex wrench provided to remove the two screws that secure the L bracket to the base plate.
2. Rotate the L bracket 180° as shown on the right side of Fig. 1.
3. Using the hex wrench, reinstall the screws to secure the L bracket.

Fig. 2—(Right) M3 bracket is reversed for the KITE-L (left). The KITE-R (right) is mounted on an M-3 base without modifications.



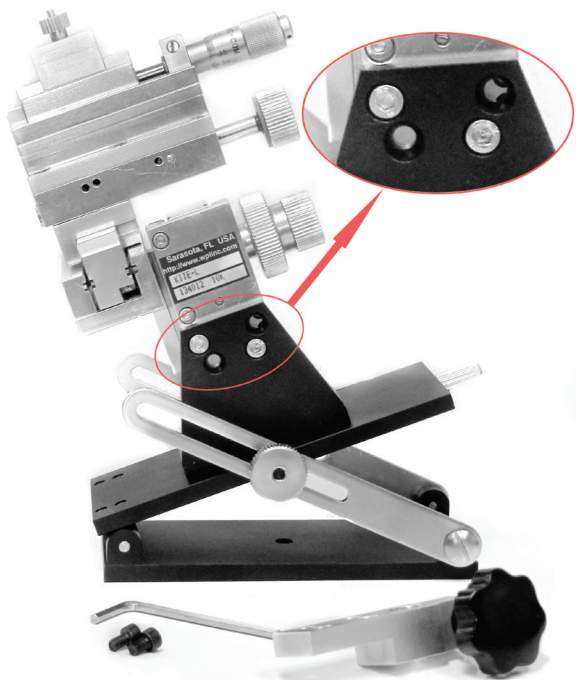
## ATTACH MANIPULATOR TO TILT BASE

Normally, the manipulator is attached so that it points down the inclined plane of the base plate. The M-3 tilt base kit includes a hex wrench. Use the two M4 x 6mm hex screws that come with your manipulator to attach the manipulator to the base. The manipulator only aligns with two holes on the L bracket, so only two screws are used to mount the manipulator to the base.

**NOTE:** All the screws are countersunk so that when they are installed the head of the screw is flush with instrument. If the manipulator is improperly installed, or if longer screws are used, the screws will interfere with the operation of the manipulator.

As an example, let's install a KITE-L on the M-3. Other manipulators are similar.

1. Remove the 12mm clamp from the KITE. This clamp will not be used with the tilt base.
2. For a KITE-L, reverse the L bracket according to the directions under Setup.
3. Line up the holes on the back side of the manipulator with the holes in the L bracket of the base. The back of the manipulator is the side without the markings. The L bracket has four holes, but only two are used to mount the manipulator
4. Use the hex wrench provided and install the two screws into the countersunk holes of the L bracket.



*Fig. 3—(right) The KITE-L is installed on the M-3 base in the correct orientation.*

# Warranty

WPI (World Precision Instruments, Inc.) warrants to the original purchaser that this equipment, including its components and parts, shall be free from defects in material and workmanship for a period of 30 days from the date of receipt. WPI's obligation under this warranty shall be limited to repair or replacement, at WPI's option, of the equipment or defective components or parts upon receipt thereof f.o.b. WPI, Sarasota, Florida U.S.A. Return of a repaired instrument shall be f.o.b. Sarasota.

The above warranty is contingent upon normal usage and does not cover products which have been modified without WPI's approval or which have been subjected to unusual physical or electrical stress or on which the original identification marks have been removed or altered. The above warranty will not apply if adjustment, repair or parts replacement is required because of accident, neglect, misuse, failure of electric power, air conditioning, humidity control, or causes other than normal and ordinary usage.

To the extent that any of its equipment is furnished by a manufacturer other than WPI, the foregoing warranty shall be applicable only to the extent of the warranty furnished by such other manufacturer. This warranty will not apply to appearance terms, such as knobs, handles, dials or the like.

WPI makes no warranty of any kind, express or implied or statutory, including without limitation any warranties of merchantability and/or fitness for a particular purpose. WPI shall not be liable for any damages, whether direct, indirect, special or consequential arising from a failure of this product to operate in the manner desired by the user. WPI shall not be liable for any damage to data or property that may be caused directly or indirectly by use of this product.

## Claims and Returns

- Inspect all shipments upon receipt. Missing cartons or obvious damage to cartons should be noted on the delivery receipt before signing. Concealed loss or damage should be reported at once to the carrier and an inspection requested. All claims for shortage or damage must be made within 10 days after receipt of shipment. Claims for lost shipments must be made within 30 days of invoice or other notification of shipment.

Please save damaged or pilfered cartons until claim settles. In some instances, photographic documentation may be required. Some items are time sensitive; WPI assumes no extended warranty or any liability for use beyond the date specified on the container.

- WPI cannot be held responsible for items damaged in shipment en route to us. Please enclose merchandise in its original shipping container to avoid damage from handling. We recommend that you insure merchandise when shipping. The customer is responsible for paying shipping expenses including adequate insurance on all items returned.
- Do not return any goods to WPI without obtaining prior approval and instructions (RMA#) from our returns department. Goods returned unauthorized or by collect freight may be refused. The RMA# must be clearly displayed on the outside of the box, or the package will not be accepted. Please contact the RMA department for a request form.
- Goods returned for repair must be reasonably clean and free of hazardous materials.
- A handling fee is charged for goods returned for exchange or credit. This fee may add up to 25% of the sale price depending on the condition of the item. Goods ordered in error are also subject to the handling fee.
- Equipment which was built as a special order cannot be returned.
- Always refer to the RMA# when contacting WPI to obtain a status of your returned item.
- For any other issues regarding a claim or return, please contact the RMA department

***Warning: This equipment is not designed or intended for use on humans.***



WORLD  
PRECISION  
INSTRUMENTS